

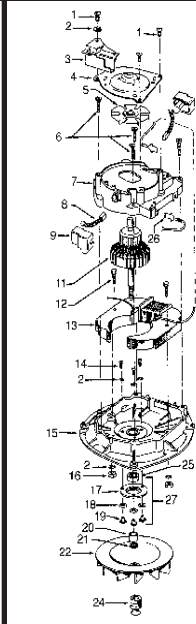
HOOVER C1431 & C1433 FEATURES & PARTS DIAGRAM

MODEL C1433

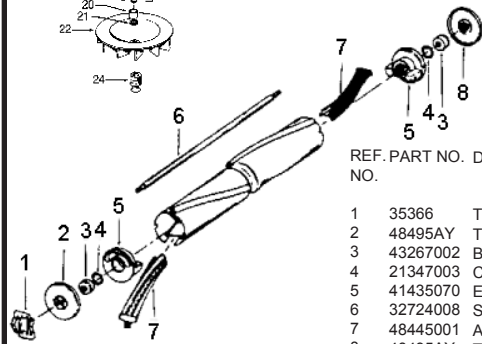
MODEL C1431



\$149
YOUR
CHOICE

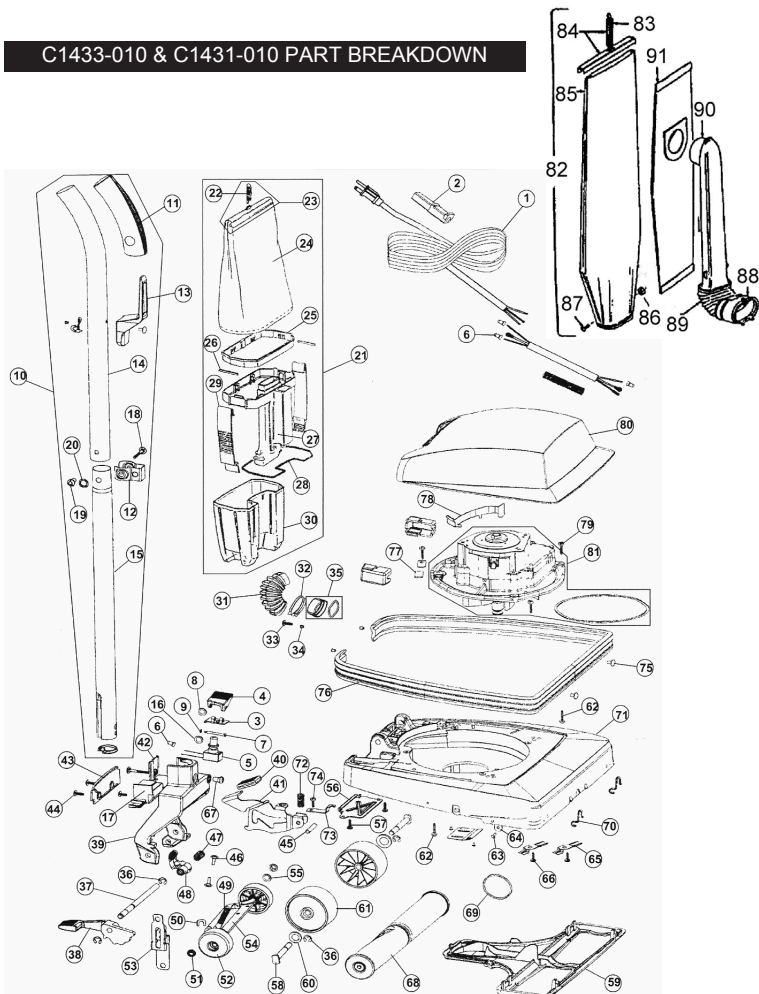


REF. PART NO.	DESCRIPTION	PRICE
1	45533AY SCREW	NLA
2	14062 WASHER	.38
3	14320 TERMINAL	NLA
4	42934002 MOTOR CAP	4.79
5	38755005 VENT FAN	2.19
6	161535 SCREW	NLA
7	42195003 UPPER MOTOR CASING	17.99
8	47318012 CARBON BRUSH	2.79
9	36315003 BRUSH INSULATOR	1.07
11	44768051 ARMATURE	49.96
12	45118 BOLT	1.07
13	45412035 FIELD COIL	NLA
14	21772501 SCREW	.54
15	42192024 LOWER MOTOR CASE	7.56
16	15673 NUT	.39
17	32184003 RETAINER	NLA
18	19772 WASHER	.54
19	45241 NUT	1.07
20	31731006 SPACER	NLA
21	166563 WASHER	.85
22	38755011 FAN	3.49
24	38532005 MOTOR PULLEY	1.69
27	43167006 BEARING ASSEMBLY	3.69



REF. PART NO.	DESCRIPTION	PRICE
1	35366 THRUST SPRING	NLA
2	48495AY THREAD GUARD LH	3.23
3	43267002 BEARING	2.47
4	21347003 CONICAL WASHER	1.07
5	41435070 END	6.47
6	32724008 SHAFT	2.47
7	48445001 AGITATOR BRUSH	3.19
8	48495AY THREAD GUARD RH	2.15

C1433-010 & C1431-010 PART BREAKDOWN



REF. PART NO.	DESCRIPTION	PRICE	REF. PART NO.	DESCRIPTION	PRICE
1	46583009 CORD - 50'	32.99	50	34252005 YOKE	.54
2	36215025 CORD PROTECTOR	1.93	51	32182001 WHEEL RETAINER	.54
3	35217006 MOUNTING BRACKET	2.15	52	38521019 REAR WHEEL	2.99
4	38424003 SWITCH PEDAL	3.23	53	43263003 CAM FOLLOWER	3.23
5	28212017 SWITCH	10.79	54	41431013 WHEEL SHAFT & SUPPORT	6.04
6	048969 WIRE NUT	.27	55	21312806 WASHER	1.07
7	613802ay SHAFT	1.39	56	35434040 AXLE & FLANGE RETAINER	1.93
8	012560 NUT	.39	57	017001FW SCREW	1.07
9	24735022 CIRCULAR CLIP	.54	58	047457AY FRONT WHEEL SHAFT	1.07
10	48616093 HANDLE ASSEMBLY	32.99	59	37245081 BOTTOM PLATE	10.69
11	39454070 HANDLE GRIP	2.79	60	21312724 WASHER	1.07
12	34785017 CORD RETAINER	2.47	61	034791AG FRONT WHEEL	2.47
13	39441016 CORD CLIP	3.23	62	21447020 SCREW	.54
14	48643091 UPPER HANDLE	21.99	63	048422 RIVET	NLA
15	48631134 LOWER HANDLE	14.99	64	21312781 SUPPORT WASHER	1.07
16	21354155 LOCK WASHER	NLA	65	36153006 LATCH	1.07
17	36913026 INSULATOR	2.47	66	017001FW SCREW	1.07
18	21631302 HANDLE BOLT	1.07	67	32277008 HANDLE CLAMP NUT	1.07
19	32277008 HANDLE CLAMP NUT	1.07	68	48414021 AGITATOR	26.99
20	013704 LOCK WASHER	.33	69	044783AG BELT	.96
21	43675188 BAG AND DIRT CUP ASSY	69.95	70	34784021 RETAINING SPRING	1.07
22	38335009 SUPPORT SPRING	1.39	71	42242269 MAIN BODY	37.99
23	41128021 BAG CLIP AND SUPPORT	9.28	72	012559FW SPRING	1.07
24	43667056 CLOTH BAG	39.95	73	34665007 PIVOT PIN RETAINER	1.07
25	35173001 BAG EXPANDER	4.31	74	017001FW SCREW	1.07
26	34122009 SEAL	1.07	75	012997AW RIVET	.54
27	41427012 CUP SUPPORT	46.99	76	36231042 FURNITURE GUARD	6.39
28	34123020 GASKET	1.07	77	41119009 RETAINER AND SLEEVE	1.39
29	36155011 LATCH	5.93	78	34287012 BAFFLE	1.61
30	38775001 DIRT CUP	19.43	79	21447220 SCREW	.54
31	38673001 BELLOW	3.99	80	42251015 HOOD/NOZZLE COVER	21.59
32	049044 CLAMP BAND	2.47	81	43574191 MOTOR AND SEAL KIT	79.99
33	017206 SCREW	.39	82	43675187 OUTER BAG COMPLETE	79.99
34	015854ef NUT	.41	83	38336019 BAG CLIP SPRING	1.39
35	41424011 BAG FLANGE	4.31	84	41128007 BAG & SPRING ASSEMBLY	9.96
36	013730 LOCK RING	.38	85	43674221 OUTER CLOTH BAG	59.99
37	161509ay BAIL SHAFT	2.15	86	015854EF NUT	.41
38	38452051 NOZZLE ADJUST LEVER	2.47	87	017206 SCREW	.38
39	41416064 BAIL	37.99	88	41424011 BAG FLANGE	4.29
40	38426080 FOOT PAD	1.07	89	38673001 BELLOW	3.99
41	43137047 HANDLE LEVER	4.31	90	38657004 TOP FILL TUBE	4.29
42	35463011 HANDLE RETAINER PLATE	1.39	91	4010001A PAPER BAG 3 PACK	2.39
43	37954004 BAIL COVER PLATE	1.72			
44	23187363 SCREW	.39			
45	047450ay PIVOT PIN	1.07			
46	12002663 HANDLE ROLL PIN	1.00			
47	048409fw SPRING	1.07			
48	019907 BAG CLAMP LEVER	1.07			
49	161513 SPRING	1.07			

HOOVER C1431 & C1433 FEATURES & PARTS DIAGRAM