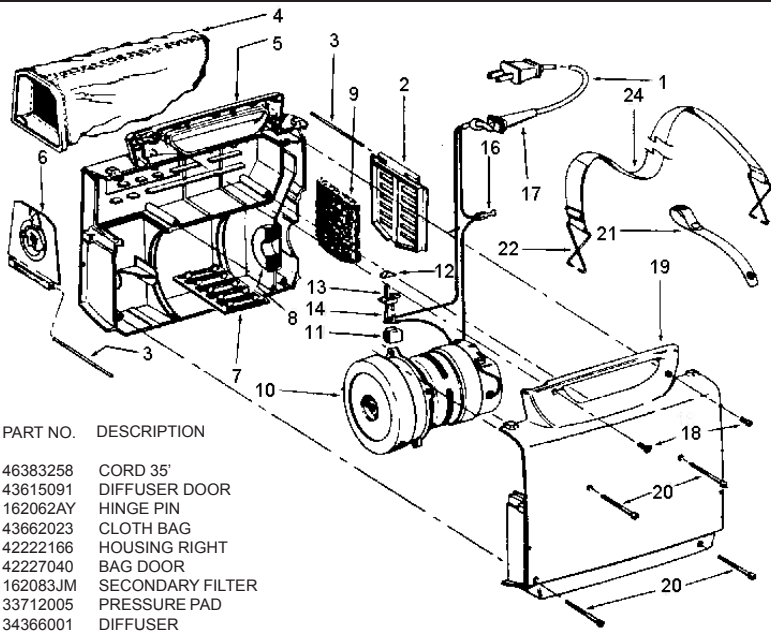
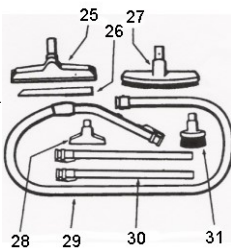


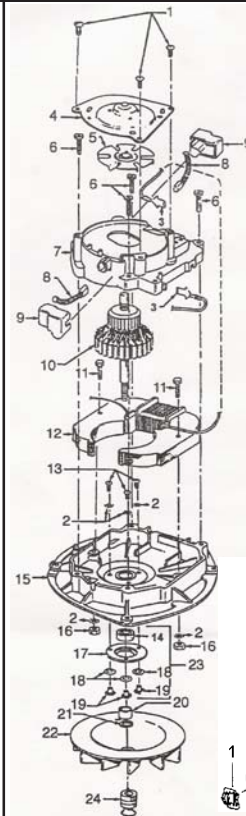
# 2094 & C2098 PART BREAKDOWN



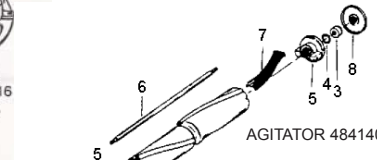
REF. PART NO.	DESCRIPTION
1	46383258 CORD 35'
2	43615091 DIFFUSER DOOR
3	162062AY HINGE PIN
4	43662023 CLOTH BAG
5	42222166 HOUSING RIGHT
6	42222040 BAG DOOR
7	162083JM SECONDARY FILTER
8	33712005 PRESSURE PAD
9	34366001 DIFFUSER
10	43177069 MOTOR
11	37922002 TERMINAL SHIELD
12	38421019 SWITCH BUTTON
13	28177006 SWITCH
14	27666702 TERMINAL
16	12227 INSULATED TERMINAL
17	36215012 CORD PROTECTOR
18	21447043 SCREW
19	37223111 HOUSING LEFT
20	21479573 SCREW
21	48615012 CORD STRAP
22	33153002 STRAP HOOK
24	48615001 CARRYING STRAP
25	38663010 SUPPORT TUBE



REF. PART NO.	DESCRIPTION
25	43414194 RUG/FLOOR NOZZLE
26	38617017 CREVICE TOOL
27	43414073 FLOOR BRUSH
28	43414057 FURNITURE NOZZLE
29	43434239 HOSE
30	43453052 EXTENSION TUBE
31	43414064 DUSTING BRUSH

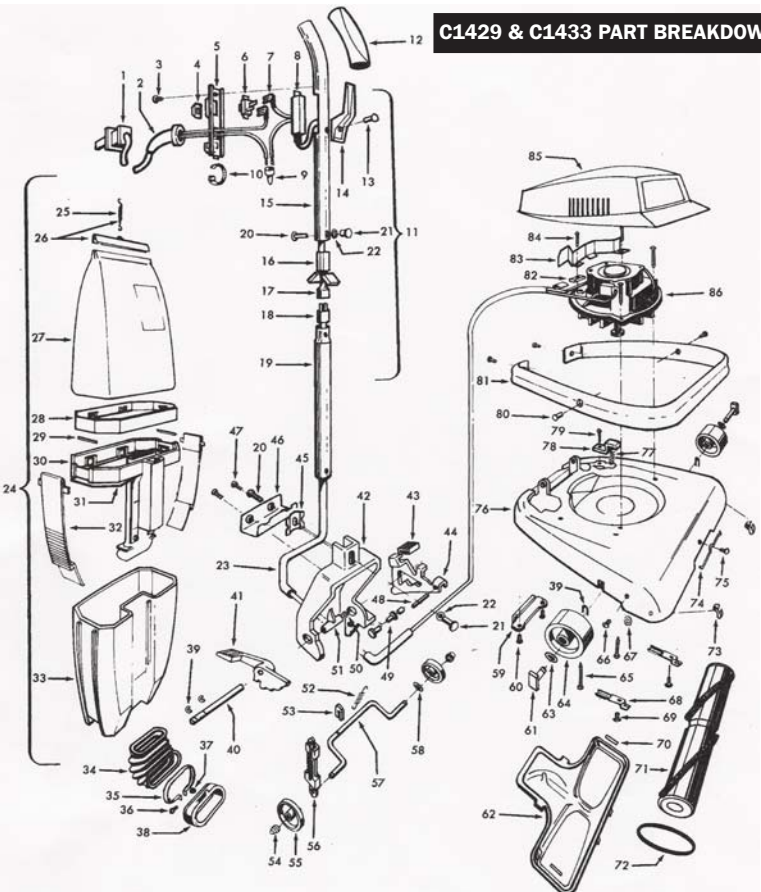


REF. PART NO.	DESCRIPTION
1	45533AY SCREW
2	14062 WASHER
3	14320 TERMINAL
4	42934002 MOTOR CAP
5	38755005 VENT FAN
6	161535 SCREW
7	42195003 UPPER MOTOR CASING
8	47318018 CARBON BRUSH
9	36315003 BRUSH INSULATOR
10	44768051 ARMATURE
11	45118 BOLT
12	45412035 FIELD COIL
13	21772501 SCREW
14	24152807 BEARING
15	42192024 LOWER MOTOR CASE
16	15673 NUT
17	32184003 RETAINER
18	19772 WASHER
19	45241 NUT
20	31731006 SPACER
21	166563 WASHER
22	38755011 FAN
23	43267006 BEARING KIT
24	43251003 MOTOR PULLEY



REF. PART NO.	DESCRIPTION
1	35366 THRUST SPRING
2	48495AY THREAD GUARD LH
3	43267002 BEARING
4	21347003 CONICAL WASHER
5	41435070 END
6	32724008 SHAFT
7	48445001 AGITATOR BRUSH
8	48495AY THREAD GUARD RH

## C1429 & C1433 PART BREAKDOWN



REF. NO.	PART NO.	DESCRIPTION	REF. NO.	PART NO.	DESCRIPTION
1	46383137	CORD - 35'	44	43137047	HANDLE CONTROL LEVER
2	36216002	CORD PROTECTOR	45	35463011	HANDLE PLATE
3	21465314	SCREW	46	37954004	BAIL COVER PLATE
4	38421012	SWITCH BUTTON	47	12954	SCREW
5	37258110	SWITCH COVER	48	47450AY	PIVOT PIN
6	281770KD	SWITCH	49	11735	ROLLER KIT
7	27666702	TEERMINAL	50	48409FW	SPRING
8	37214070	SWITCH CASE	51	19907	FLANGE CLAMP LEVER
9	12227	WIRE NUT	52	161513	SPRING
10	27479307	CABLE TIE	53	34252005	YOKE
11	48644108	HANDLE COMPLETE	54	32182001	WHEEL RETAINER
12	39454070	HANDLE GRIP	55	38521019	REAR WHEEL
13	21256094	RIVET	56	43263003	CAM FOLLOWER
14	39441016	CORD CLIP	57	41431013	WHEEL AXLE ASSEMBLY
15	48644114	UPPER HANDLE	58	21312806	WASHER
16	36913007	INSULATOR	59	35434040	AXLE RETAINER
17	47155005	CONNECTOR CORD	60	21447229	SCREW
18	46321033	CORD ASSEMBLY	61	47457AY	WHEEL SHAFT
19	32284023	LOWER HANDLE	62	37245081	BOTTOM PLATE
20	21631301	HANDLE BOLT	63	21312724	WASHER
21	32277021	NUT	64	34791AG	CARRIER WHEEL
22	13704	WASHER	65	21447020	SCREW
23	38313023	MOTOR LEAD SPRING	66	48422	RIVET
24	43675188	DUST CUP ASSEMBLY	67	21312781	WASHER
25	38335009	SPRING	68	36153006	LATCH
26	41128021	BAG CLIP & SPRING	69	21447229	SCREW
27	43667056	CLOTH BAG	70	32277008	HANDLE CLAMP BOLT NUT
28	35173001	BAG EXPANDER	71	48414021	AGITATOR
29	34112015	SEAL	72	44783AG	BELT
30	41427006	SUPPORT & BELLOWS	73	34784021	AGITATOR RETAIN SPRING
31	34123020	GASKET	74	21631302	HANDLE BOLT
32	36155011	LATCH	75	N/A	
33	38775001	DUSTCUP	76	42242269	MAIN BODY
34	38673001	BELLOWS	77	12559FW	SPRING
35	49044	CLAMP	78	34665007	PIN RETAINER
36	17206	SCREW	79	21447229	SCREW
37	15854EF	NUT	80	12997AW	RIVET
38	41424011	BAG FLANGE	81	36231042	FURNITURE GUARD
39	13730	LOCK RING	82	41119009	RETAINER & SLEEVE
40	161509AY	BAIL SHAFT	83	34287012	BAFFLE
41	38452051	NOZZLE ADJ LEVER	84	21447220	SCREW
42	41416077	BAIL	85	42251015	HOOD
43	38426080	FOOT PAD	86	43574193	MOTOR

CALL VACLAND 1-800-822-2897