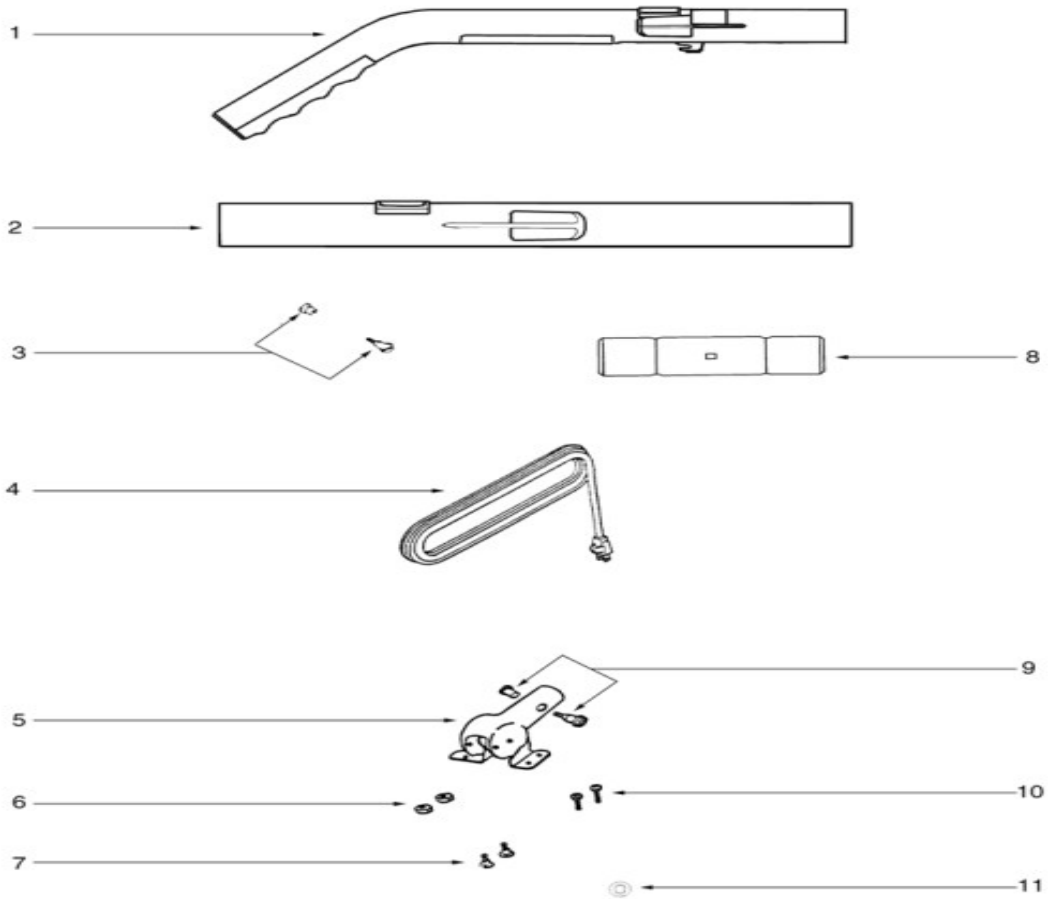


Brushroll & Furniture Guard - S635A

Ref #	Part	Description	Comments	Qty
1	36342-21	GUARD - FURNITURE		
2	53121	PUSH NUT PACKAGE (10)		
3	47562	AXLE - REAR		
4	53238-11	SCREW PACKAGE		
5	35947A	AXLE - FRONT		
6	54104-1	DISTURBULATOR REPLACEMENT		
7	54560	WASHER PACKAGE		
8	35858-2	WHEEL - REAR (35858-1		
9	53111	CLIP PACKAGE (5)		
10	53076-2	SPRING & AXLE PACKAGE (6)		
11	35859A-1	WHEEL - FRONT		
12	52100A	BELT PKG ASSY (UPRIGHT)		
13	38138	CAP & BEARING ASSEMBLY		
14	26059A	CAP - COVER		

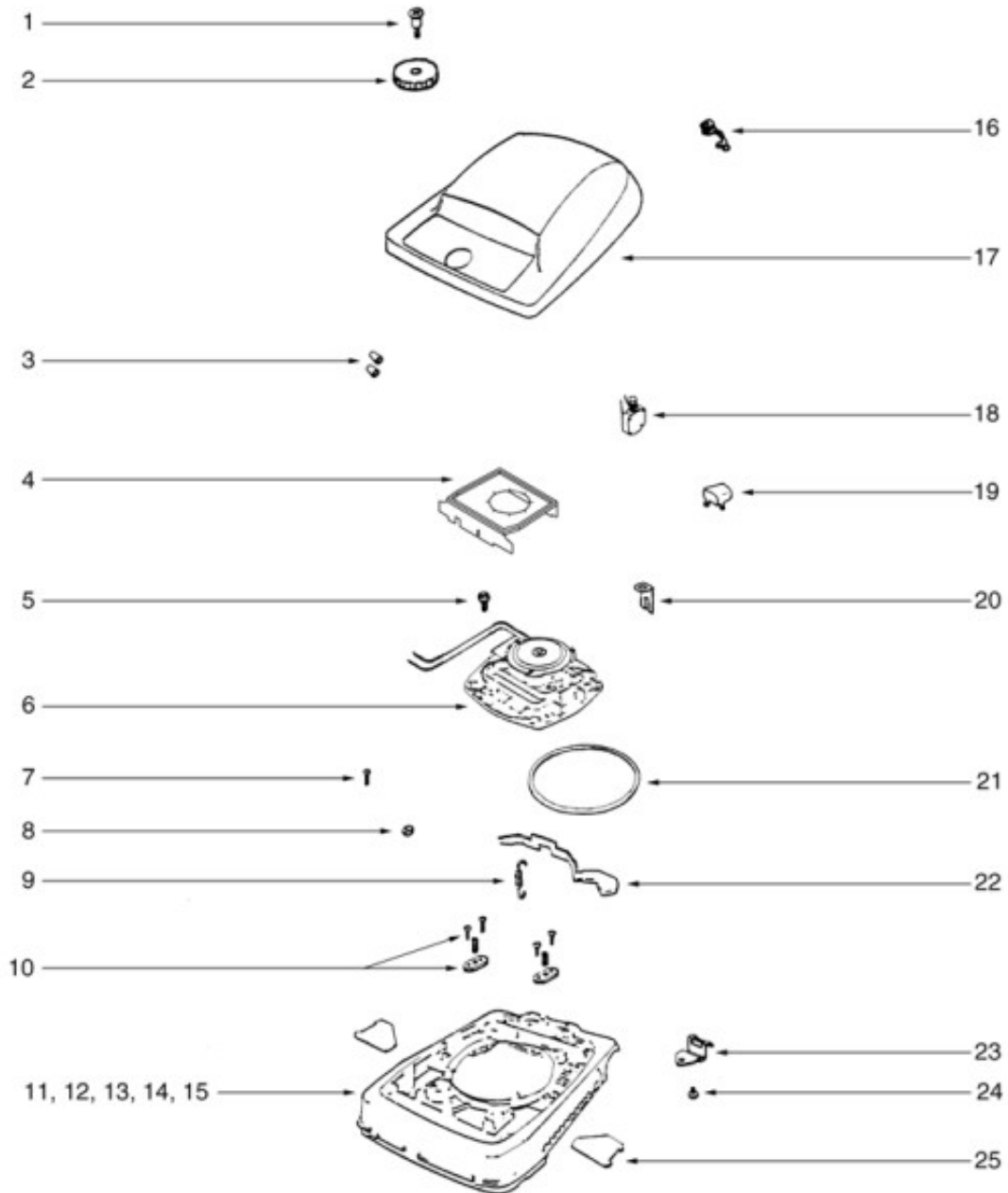
Ref #	Part	Description	Comments	Qty
15	55015	CLIP - WIRE		
16	37590-1	BRACKET - BUSHING		
17	25922-1	BOTTOM PLATE ASSEMBLY		



Handle - S635A

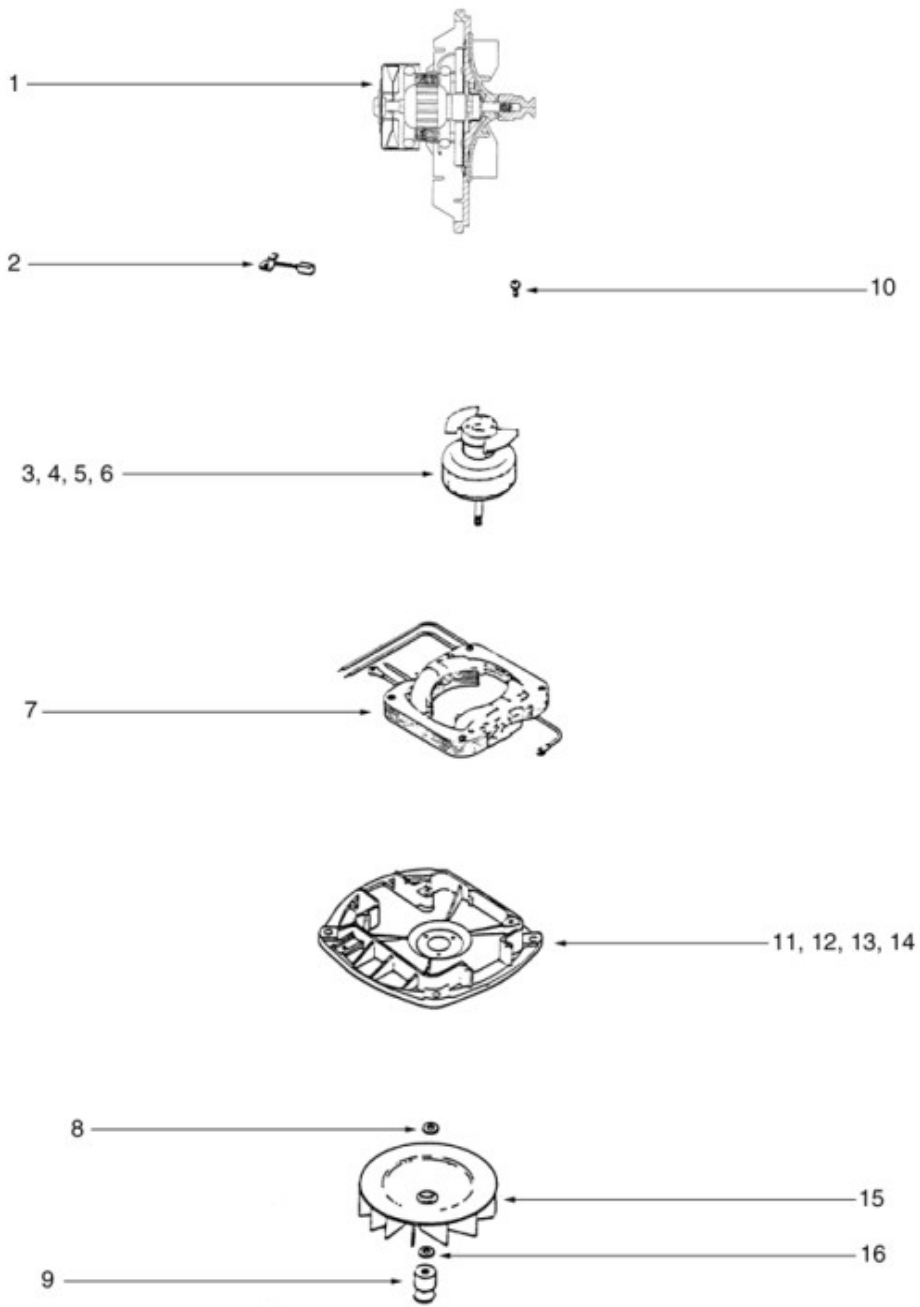
Ref #	Part	Description	Comments	Qty
1	26176-4SV	HANDLE ASSEMBLY (UPPER)		
2	12637-8	TUBE - HANDLE (LOWER)		
3	53198-1	HANDLE SCREW ASSY PACKAGE		
4	39630-2	CORD - LOW LEAD (18 GA)		
5	38183-1SV	HANDLE SOCKET ASSEMBLY		
6	53213-5	NUTS - PACKAGE 10		
7	53145	BOLT PACKAGE (10)		
8	NOT ON THIS MODEL			
9	53238-13	SCREW PACKAGE		

Ref #	Part	Description	Comments	Qty
10	53080-4	PIN - SNAP PACKAGE (5)		
Not Pictured	36097-3	SLEEVE	Cord Strain Relief	
	13521-355N	RETAINER - CORD (LOWER)		
	36965-3SV	CORD RETAINER ASSY-TITANI		



Hood and Base - S635A

Ref #	Part	Description	Comments	Qty
1	53143	SCREW PACKAGE (10)		
2	38053-3	KNOB ASSEMBLY		
3	60192-1	WIRE SPLICE 5		
4	79968SV	SEPARATOR ASSEMBLY		
5	53238-14	SCREW PACKAGE		
6	53349! -9	MOTOR ASSEMBLY - CARTONED		
7	54669-2	SCREW PACKAGE		
8	53213-5	NUTS - PACKAGE 10		
9	53097	SPRING - FOOT PEDAL PKG (
10	53140	CLAMP & SCREW ASSY PKG		
11	57448-6	BASE ASSEMBLY		
12	24964A-1	CAM (RIGHT)		
13	24965A-1	CAM (LEFT)		
14	53118	RIVET - SHOULDER PACKAGE		
15	53133	STEEL WASHERS - PACKAGE 1		
16	53089-1	BUSHING & STRAIN RELIEF P		
17	63647-1	HOOD & GRAPHICS ASSY - PK		
18	13738-5	SWITCH ASSEMBLY		
19	26808-3	BUTTON - SWITCH		
20	37989	CLIP - SWITCH		
21	30517	GASKET - MOTOR SEAL		
2! 2	24834A-3	PEDAL - FOOT (24834A-1		
23	37034	SPRING - ADAPT RETAINER		
24	53238-11	SCREW PACKAGE		
25	36263	COVER - WHEEL		



Motor - S635A

Ref #	Part	Description	Comments	Qty
1	53349-9	MOTOR ASSEMBLY - CARTONED		
2	UN-000000-00K02	MOTOR BRUSH ASSEMBLY		
8	53148-1	WASHER - FAN PACKAGE (10)		
9	UAU-000000-00K06	PULLEY - MOTOR		
15	UN-000000-00K01	FAN BLOWER - MOTOR		
16	53148-1	WASHER - FAN PACKAGE (10)		