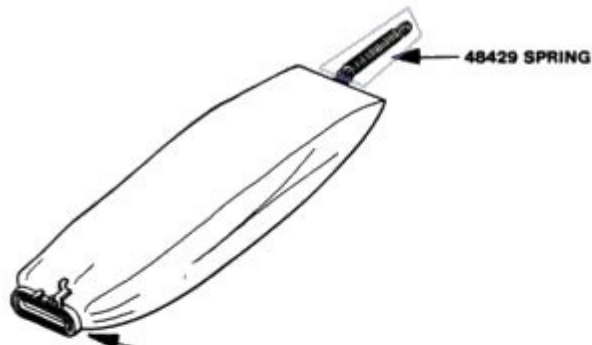
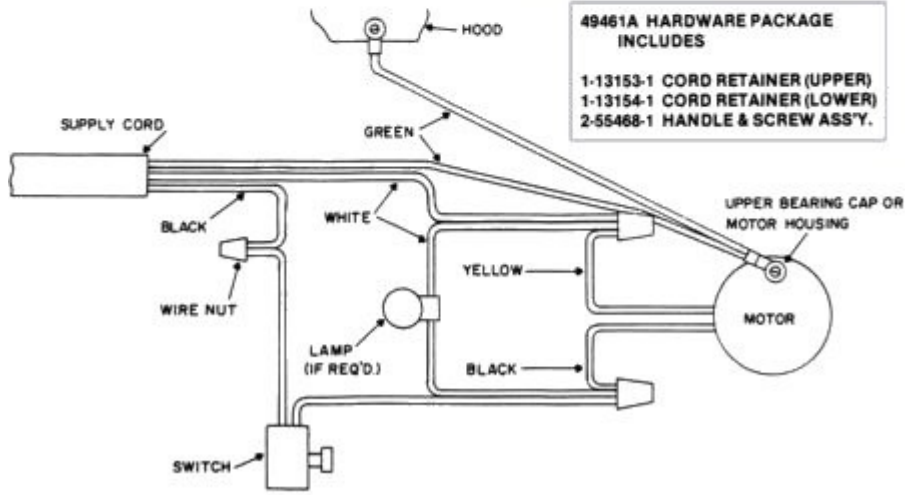


**15001-3 BAG ASSEMBLY**



- 37032 CAM
- 48282 GASKET
- 48748 WASHER
- 48749 RIVET

- 49461A HARDWARE PACKAGE INCLUDES**
- 1-13153-1 CORD RETAINER (UPPER)
  - 1-13154-1 CORD RETAINER (LOWER)
  - 2-55468-1 HANDLE & SCREW ASS'Y.



36575 WIRING DIAGRAM



49638-4 HOOD & NAMEPLATE ASS'Y.  
37654 NAMEPLATE

38409-13 PUSH SWITCH  
55446 SWITCH NUT



56379 AIR INLET DUCT ASS'Y. (R.H.)  
49052-3 FOAM TAPE

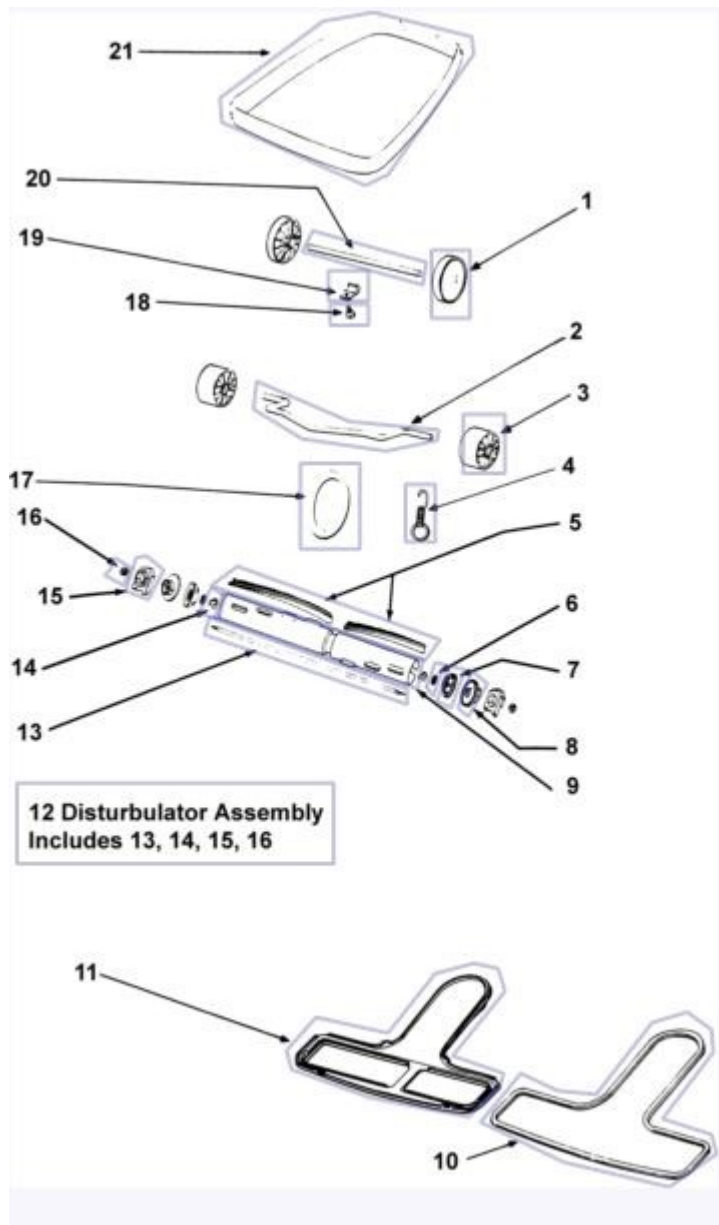
56380 AIR INLET DUCT ASS'Y.  
49052-3 FOAM TAPE



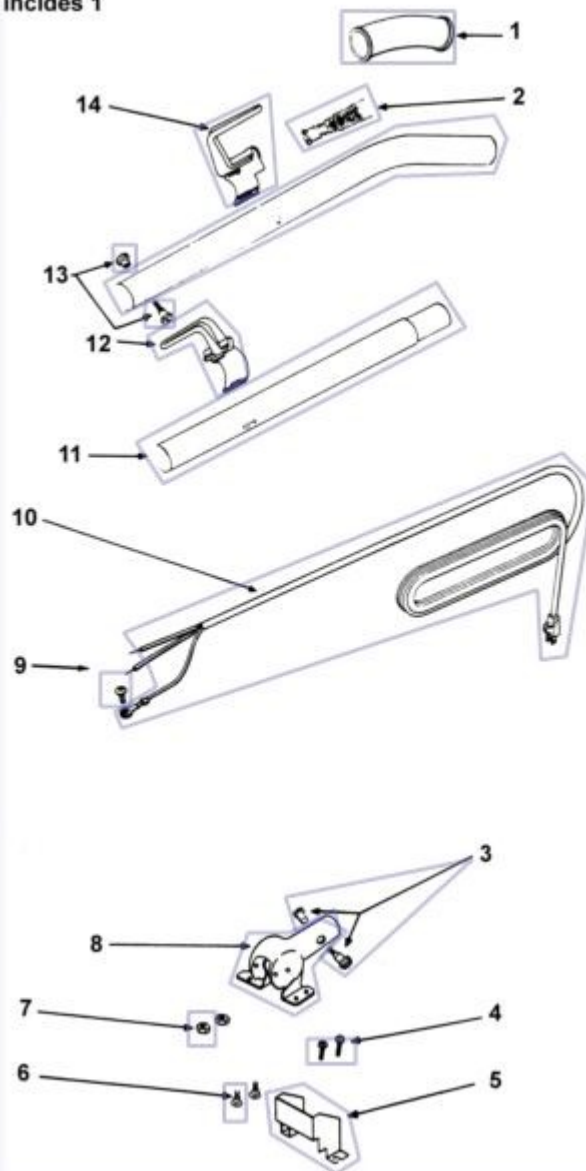
3 CLAMP & SCREW ASS'Y.  
48642 SET SCREW  
47764A ADJUSTMENT CLAMP



NOT ILLUSTRATED  
24964A CAM (R.H.)  
24965A CAM (L.H.)  
47854A RIVET-CAM  
48486 WASHER



**15 Upper Handle Ass'y.**  
includes 1



11073-20 Motor Assembly

