

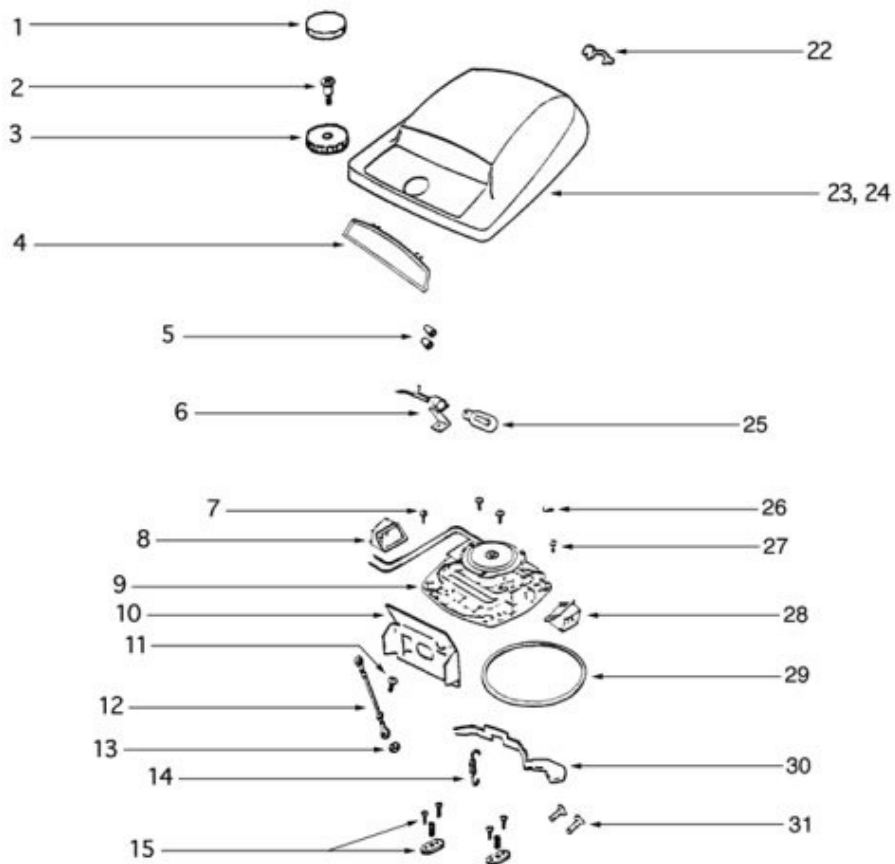
# Sanitaire S677D-1 Part Breakdown

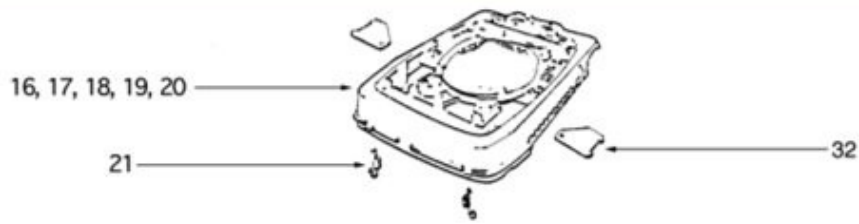
Bag - S677D-1

Bag - S677D-1

Ref #	Part	Description	Comments	Qty
1	53469-24	ZIPPER BAG ASSY - PACKAGE		
2	77491	DIRT TUBE & OVERMOLD ASSE		
3	71971-1	HARDWARE PACKAGE - UPRIGH		
4	78276	OWNERS GUIDE		
5	47722	SPRING - BAG		
6	48410	SPRING - GARTER		
7	63213A	UPR SYN ST DUSTBAG W/A&H		
Not Pictured	36968	GASKET		
	78221	ZIPPER HANDLE CHAIN ASSEM		

Base & Hood - S677D-1

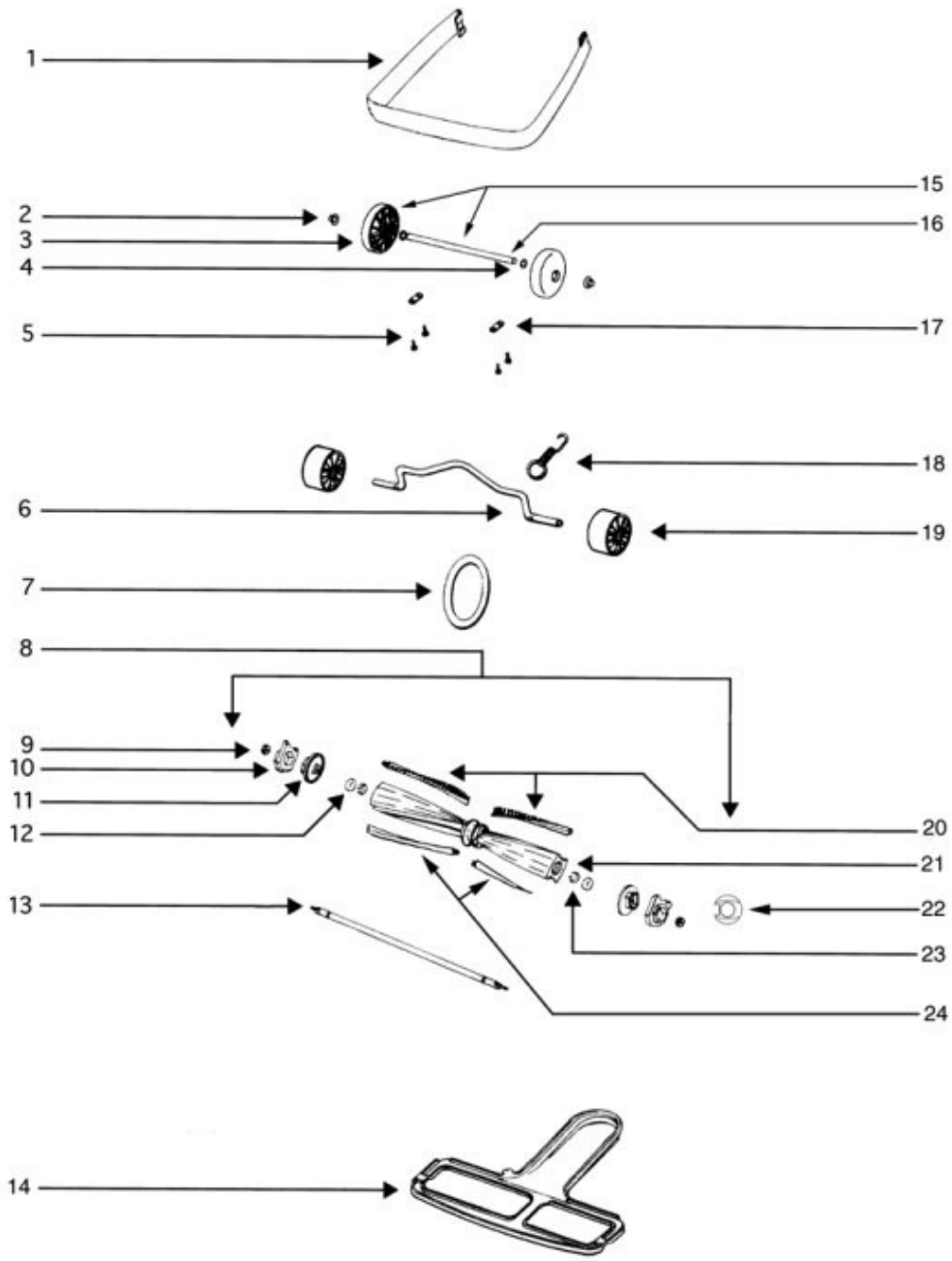




Base & Hood - S677D-1

Ref #	Part	Description	Comments	Qty
1		Not on this Model		
2	53143	SCREW PACKAGE (10)		
3	38053-2	KNOB ASSEMBLY		
4	12601-8	LENS - HOOD		
5	60192-1	WIRE SPLICE 5		
6	35958A	HEADLAMP SOCKET ASSEMBLY		
7	53238-14	SCREW PACKAGE		
8	56383SV	DUCT ASSEMBLY (R)		
9	54352-16	MOTOR ASSEMBLY - PACKAGED		
10	25462A	LIGHT SHIELD		
11	53228-2	SCREWS - PACKAGE 10		
12	55296	WIRE & TERMINAL ASSEMBLY		
13	53213-5	NUTS - PACKAGE 10		
14	53097	SPRING - FOOT PEDAL PKG (		
15	53140	CLAMP & SCREW ASSY PKG		
16	53425-23	BASE ASSEMBLY		
17	24964A-1	CAM (RIGHT)		
18	24965A-1	CAM (LEFT)		
19	53118	RVET - SHOULDER PACKAGE		
20	53133	STL WASHERS-PKG (48495 (NLA)		
21	53117	SPRING - HOOD PACKAGE (10		
22	53089-1	BUSHING & STRAIN RELIEF P		
23	54407-6	MOTOR HOOD ASSEMBLY - PAC		
24	78396	NAMEPLATE		
25	40009A	LAMP - HEADLIGHT		
26	53160	CABLE CLAMP PACKAGE		
27	56382SV	DUCT ASSEMBLY (L)		
28	30517	GASKET - MOTOR SEAL		
29	24834A-3	PEDAL - FOOT (24834A-1		
30	36263	COVER - WHEEL		

Furniture Guard and Brushroll - S677D-1

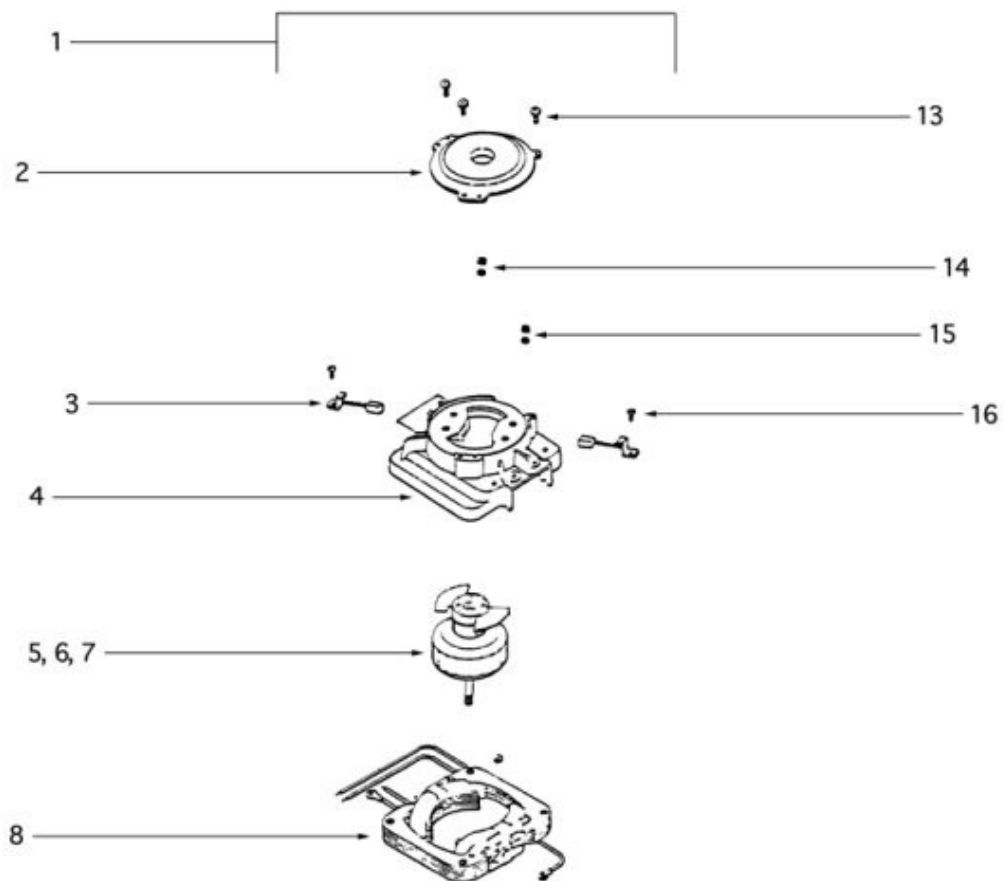


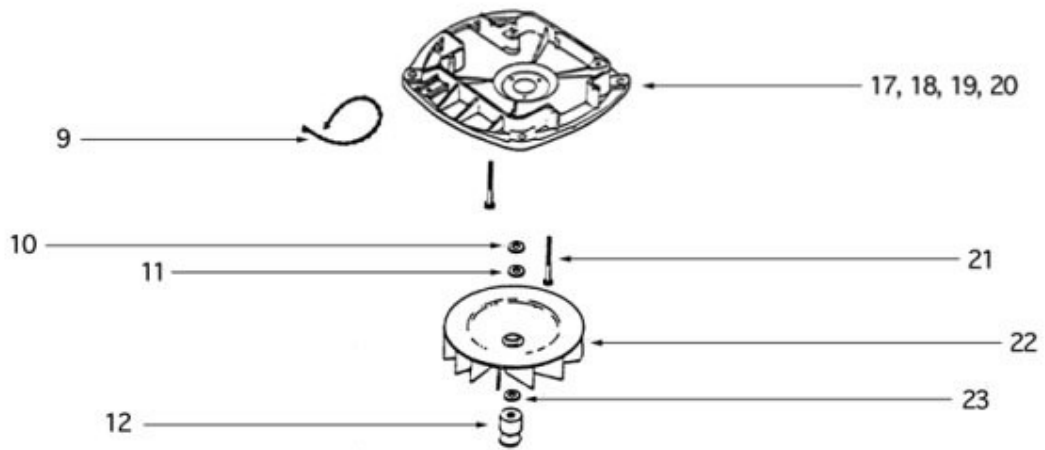
Furniture Guard and Brushroll - S677D-1

Ref #	Part	Description	Comments	Qty
1	28504-1	GUARD - FURNITURE		
2	53121	PUSH NUT PACKAGE (10)		
3	26242-119N	WHEEL - REAR		
5	53238-11	SCREW PACKAGE		
6	35947A	AXLE - FRONT		

7	52100A	BELT PKG ASSY (UPRIGHT)		
8	53272	DISTURBULATOR ASSEMBLY		
9	53158	LOCK NUT PACKAGE		
10	26059A	CAP - COVER		
11	26058A	CAP - DISTURBULATOR		
12	53114	BEARING - DISTURBULATOR P		
13	35663A	SHAFT - DISTURBULATOR		
14	25922-1	BOTTOM PLATE ASSEMBLY		
15	60161	WHEEL & AXLE ASSY		
16	37183	AXLE - REAR		
17	53110	WASHER - WHEEL PACKAGE (1		
18	53201	AXLE CLAMP - PACKAGED		
19	53076-2	SPRING & AXLE PACKAGE (6)		
20	35859A-1	WHEEL - FRONT		
21	52140	PACKAGED - BRISTLE STRIP		
22	26845	EXTRUSION - DISTURBULATOR		
23	35728A-1	PLATE - COVER		
24	53115	PACKAGE - TOLERANCE RING		
25	35665B	BAR - BEATER (LONG)		
26	35664B	BAR - BEATER (SHORT)		

Motor - S677D-1

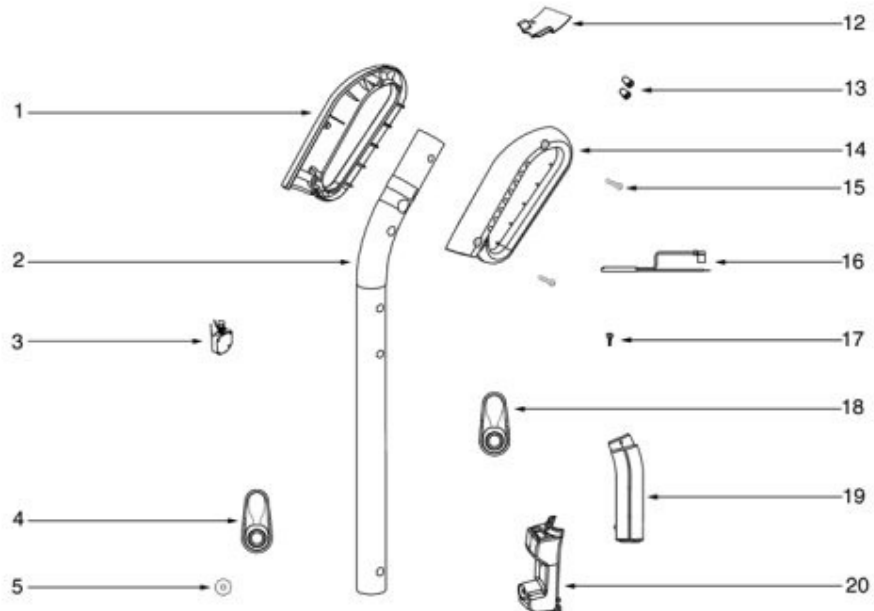


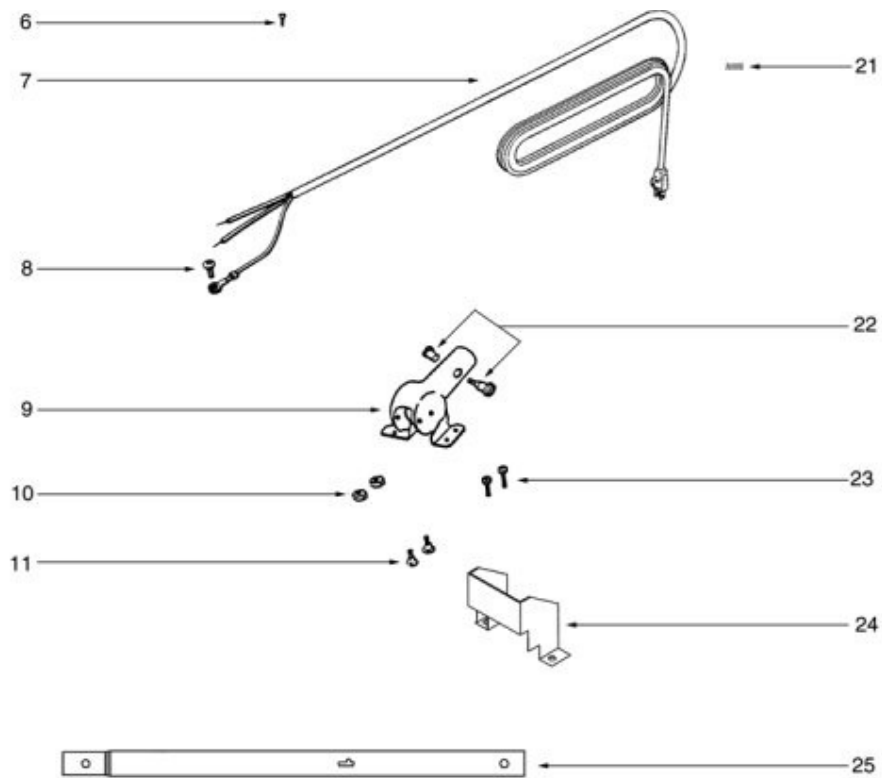


Motor - S677D-1

Ref #	Part	Description	Comments	Qty
1	54352-16	MOTOR ASSEMBLY - PACKAGED		
3	UAU-000000-00K03	MOTOR BRUSH ASSEMBLY		
10	53188-2	WASHER PACKAGE		
11	53148-1	WASHER - FAN PACKAGE (10)		
12	UAU-000000-00K06	PULLEY - MOTOR		
20	UAU-000000-00K02			
23	53148-1	WASHER - FAN PACKAGE (10)		

Handle - S677D-1





Handle - S677D-1

Ref #	Part	Description	Comments	Qty
1	15596-288N	GRIP - LEFT HANDLE		
2	28639	HANDLE - UPPER STEEL		
3	28305	ROCKER SWITCH		
4	28316-288N	CORD RETAINER/SC4570AT		
5	60946	WASHER - PACKAGED		
6	60947	SCREWS - PACKAGED		
7	38680-25	CORD ASSY./S4170AT		
8	62082-1	SCREW PACKAGE		
9	38183-1SV	HANDLE SOCKET ASSEMBLY		
10	53213-5	NUTS - PACKAGE 10		
11	53145	BOLT PACKAGE (10)		
12	59741-316N	SHIELD - WIRING		
13	60192-1	WIRE SPLICE 5		
14	15597-288N	GRIP - RIGHT HANDLE		
15	53197-1	SCREW PACKAGE		
16	28011-8	UPPER CORD ASSEMBLY		
17	53238-18	SCREW PACKAGE		
18	13521-2	CORD RETAINER-LWR		
19	02349A-288N	HOUSING - SWITCH (RH)		
20	02410A-288N	HOUSING - SWITCH (LH)		
21	60945	SPRING - PACKAGED		
22	53198-1	HANDLE SCREW ASSY PACKAGE		
23	53238-13	SCREW PACKAGE		
24	36439	SHIELD - HANDLE SOCKET		
25	12637-8	TUBE - HANDLE (LOWER)		